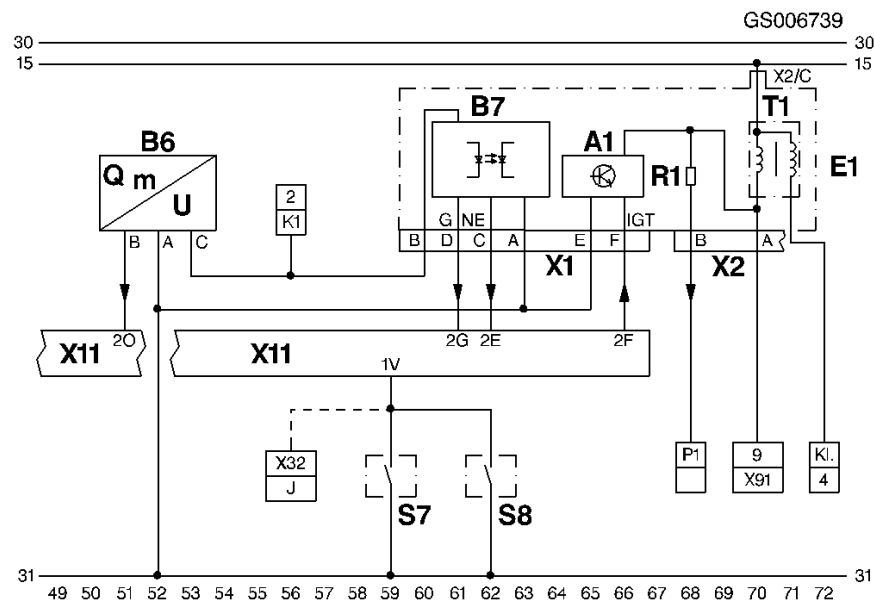


Диагностика автомобилей SIS/CAS

Автомобиль	MAZDA / 626 2.0i 16V Hatchback / 09/1991 - 05/1994 / Седан-накл.з.ч./б.накл.з.части
Страна происхождения	J
Литраж/Мощность	2.0 / 85 - 86 kW
Характеристика двигателя	FS
Ключ RB	MAZ 346
Область	Всего
Система	Управление двигателем / EGI



ELECTRICAL TERMINAL DIAGRAM

A1 = Ignition driver stage
B6 = Air-mass meter

S7 = Clutch switch
S8 = Neutral switch

Диагностика автомобилей SIS/CAS

MAZDA / 626 2.0i 16V Hatchback / 09/1991 - 05/1994 / Седан-накл.з.ч./б.накл.з.части
(MAZ 346)

B7 = Engine-speed/ref.-mark sensor
E1 = Ignition distributor
G = Reference-mark signal
IGT = Ignition signal
Kl. = Terminal
K1 = Main relay
NE = Engine-speed signal
P1 = Rev counter
R1 = Resistor

T1 = Ignition coil

X1 = Connector, 6-pin, on distributor
X2 = Connector, 3-pin, on distributor
X11 = Engine control unit connector
X32 = Cruise control system
control unit (if fitted)
X91 = Diagnosis connector

30.08.2011

17:02:44